

TH-SDU-FL

Data Sheet

Description

The Thuraya Aeronautical Satellite Data Unit* comes in a first version as a „flange mount“ component (TH-SDU-FL). For small ISR fixed wing platforms and all rotary platforms the flange mount SDU perfectly meets the requirements and qualification specifications for this type of aircraft. The TH-SDU-FL uses the SRT Wireless base concept of the VIPturbo software defined radio system. The VIPturbo module is adapted to the most stringent qualification requirements for airborne communication equipment for both fixed wing and rotary wing aircraft.

The second version available on the market will be a standard SDU in ARINC 600 format (2MCU).

Features

- Highest Vibration Performance (DO-160G-Cat. U2)
- No external forced airflow through equipment required
- Low pressure operation (unpressurized aircraft cabin)

Additional future options

- 2 channel TH-SDU-FL with additional slot for 2nd VIP Turbo Aero
- Single channel TH-SDU-FL with additional slot for HD580 video streaming module



TH-SDU-FL

Technical Specifications

Dimensions and weight:

	<u>without fan</u>	<u>with fan</u>
Length:	343 mm	343 mm
Width:	194 mm	194 mm
Height:	58 mm	89 mm
Weight:	4.2 kg	4.4 kg

Nominal Voltage: 24 V and 28 Vdc

Interfaces:

RF Input: TNC Female

RF Output: N Female

Antenna Power/Control: RP-TNC Female

GPS-Antenna: SMA Female

Temperature Range:

-40 to +55 °C (operation)

-55 to +85 °C (storage)

Power Consumption: 35-45 W

Qualification: DO-160G

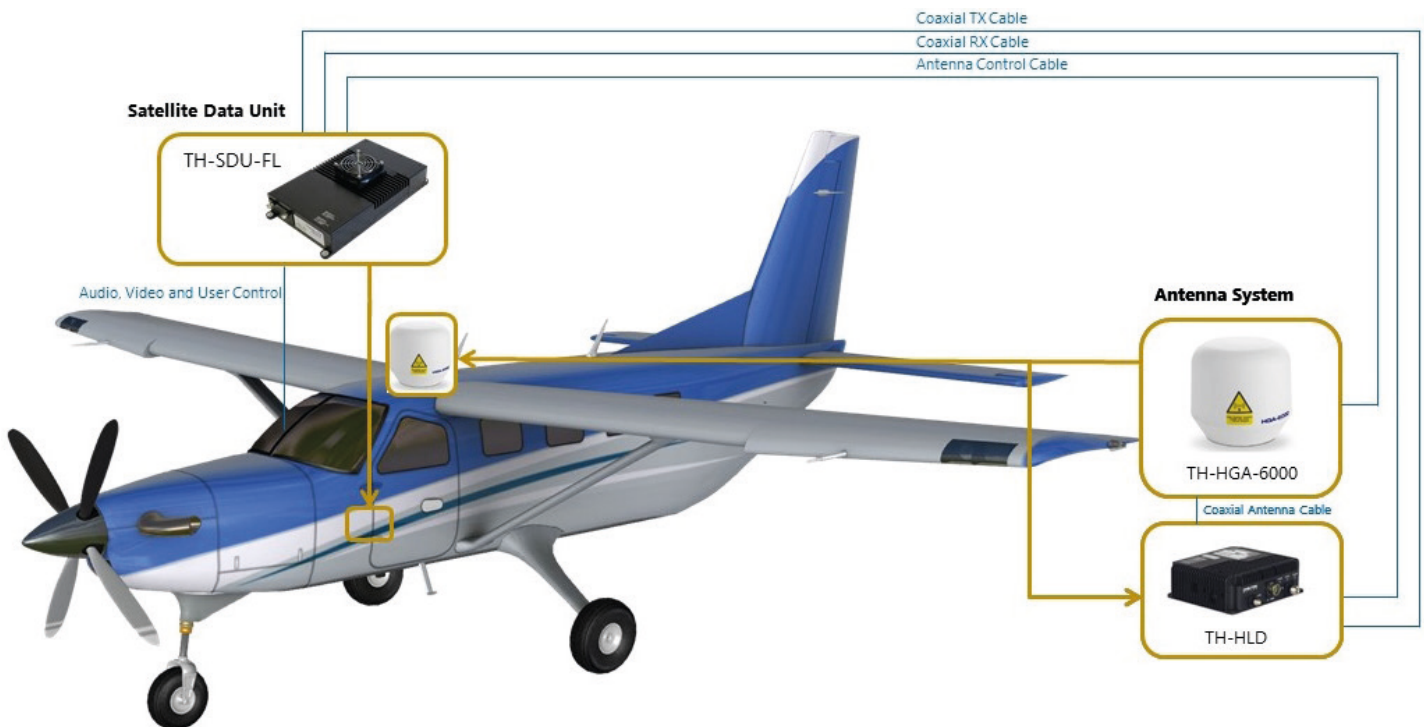
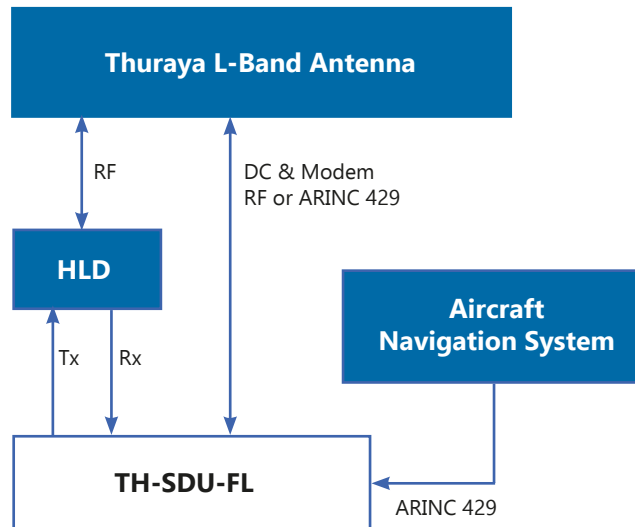
Thuraya Aero 

POWERED BY



TH-SDU-FL

Data Sheet



For further information please contact:

smp aviation
Plüddemanngasse 67a
8010 Graz, AUSTRIA
T: +43 (0) 316 / 42 41 42 0
office@smp-aviation.com
www.smp-aviation.com

Distributed by:

Thuraya Aero

POWERED BY

smp
aviation